



TECHNICAL DATA:

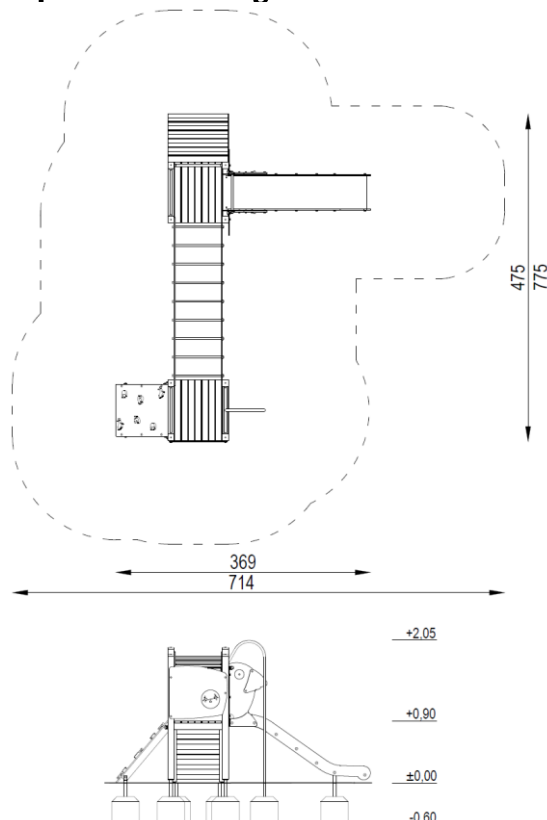
Not easily accessible device,
according to standard EN 1176-1:2017

Device dimensions: 3,69 x 4,75m
 Device height: 2,05m
 Minimum space: 7,14 x 7,75m
 Falling area: 38,22m²
 Critical fall height: 1,85m
 Foundations depth: -0,60m

The device according to EN 1176-1:2012
 Playground equipment and surfacing – Part 1:
 General safety requirements and test methods

Safety surfaces:
 - sand, gravel, bark, synthetic surface
 - minimal thickness for loose particulate materials 200+100mm
 - synthetic surface according to critical fall height

Top view with falling area



COMPONENTS:

Tower without roof, platform 90cm	2 pcs
Climbing wall 90cm	1 pc
Entry gangplank 90cm	1 pc
Fireman's pole 90cm	1 pc
Horizontal ladder	1 pc
Slide 90cm	1 pc

MATERIALS:

Construction poles:	glued laminated pine timber, varnish painted dark brown
Flat decorative elements:	HDPE sheets
Platforms:	impregnated pinewood boards, with machined anti-skid surface
Steel elements:	galvanized steel, powder coated
Surface of slide:	stainless steel
Horizontal ladder:	HDPE side plates, stainless steel handles
Climbing walls:	waterproof plywood, climbing grips, based on resins
Caps:	plastic
Foundations:	concrete min. C12/15 standard



SATERNUS DISTRIBUTION Sp. z o.o. sp.k.
ul. Nowa 32
41-500 Chorzów, Poland

Certificate beholder:
Producer:
Distributor:

GRUPA SATERNUS Sp. z o.o. S. K. A. reserves all rights to protect copyright under the Act of February 4, 1994 on Copyright and Related Rights (Journal of Laws No. 28, pc 83), and in particular Art. 78 and 79 of this Law.

GRUPA SATERNUS Sp. z o.o. S. K. A.
Saternus Production Sp. z o.o. sp. k.
Saternus Distribution Sp. z o.o. sp. k.