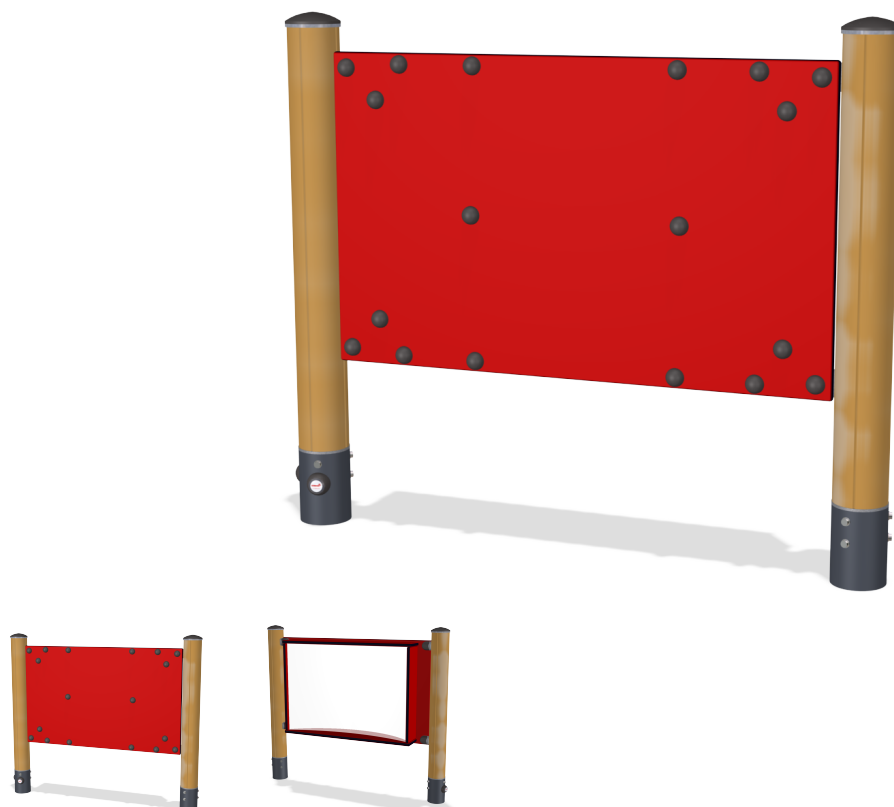


PCM0009

Concave Mirror Panel

KOMPAN[®]
Let's play



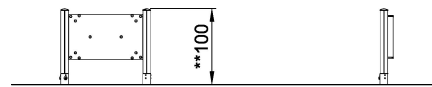
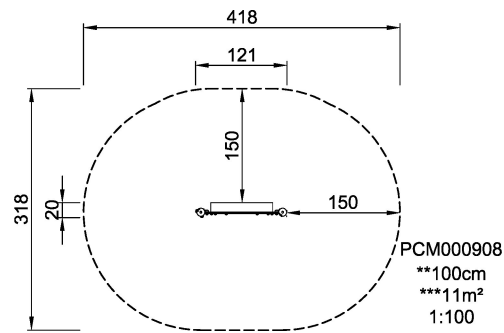
Product Line	Themed Play
Category	Toddler play
Age group	2 - 8
Total height (CM)	100
Safety Zone	11 m2



**SUR-
FACE**



ASTM



PCM000908
1:100

* = Highest designated play surface.
** = Total height of product.

Weight/heaviest parts	kg.	Installation (Manpower)	Persons
Concrete required	NaN m ³	Installation (Hours)	Hours
Foundation amount/footing	NaN	Excavation	NaN m ³