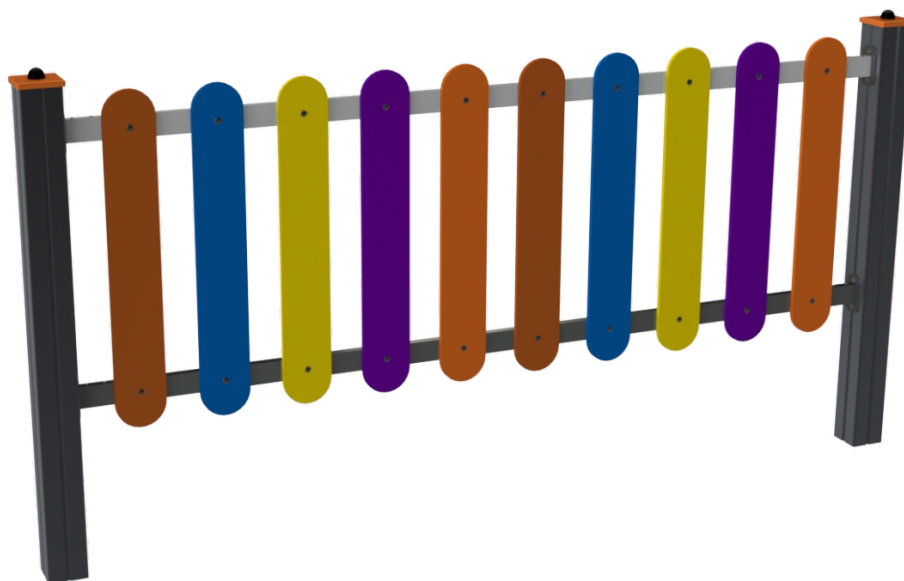


Simple Fence

ref. MURVS750AL



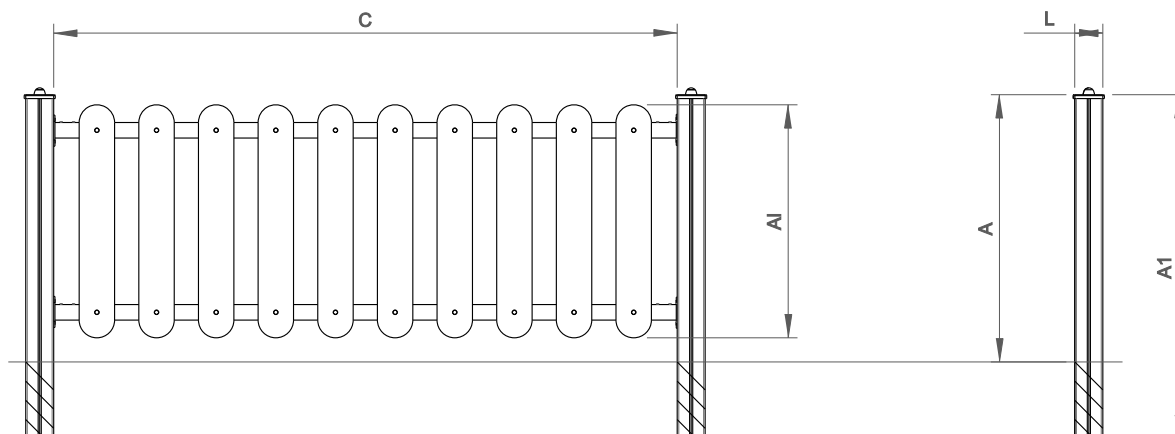
www.bragmaia.com



Total measures:

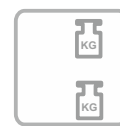
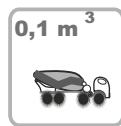
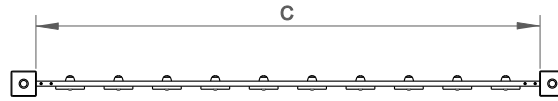
Model	Length (mm) (C)	Width (mm) (L)	Lance height (mm) (AI)	Height (mm) (A)	Total height (mm) (A1)	Type
VS750	2000	60	845	-	-	Lance
VS1000	1000	60	845	-	-	Lance
PVS750	1000	60	845	-	-	Door
PRVS750AL	90	90	-	800	1100	Pole Aluminum
PRVS750G	90	90	-	800	1100	Pole Galvanized

General Tolerance: $\pm 5\%$



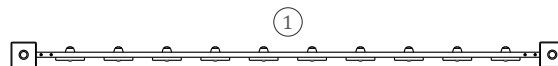
Data Sheet

Equipment Information:



Technical Information:

1 - Simple Fence



Technical Characteristics:



Vertical posts

Aluminum: 90x90x2.5mm profile alloy 6063 and T66 treatment, which is an alloy extrusion excellence, exhibits excellent corrosion resistance with good surface finish. The T66 treatment in which this alloy is solubilized, tempered and artificially aged, aims to improve its mechanical properties. This is supplied at natural color with the option of being lacquered RAL according to customer needs;

Galvanized: 90x90x2.5mm tube iron with anticorrosive treatment of hot dip galvanizing in accordance with EN ISO 1461.

Panels

HDPE: Monocolour/bicolour high density polyethylene. It is a polymer so it is characterized by its resistance to corrosion and chemical products. By its capacity of elasticity and lightweight, it offers high resistance to impacts, and, therefore, very difficult to break. The synthetic base prevents growth of bacteria and fungus. No need for maintenance;

Metal Parts

Structure: Rectangular pipe and sheet steel with anticorrosive treatment of hot dip galvanizing in accordance with EN ISO 1461;

Fixation System:

Type B - Standard fixation system composed by steel base screwed to the ground with steel anchors;

Type C - Standard fixation system composed by posts applied directly in the ground with concrete;

Screws and accessories

Screws: Galvanized steel or optionally stainless steel AISI 304;

Capsules: PP Polypropylene plastic;



100% recyclable;

