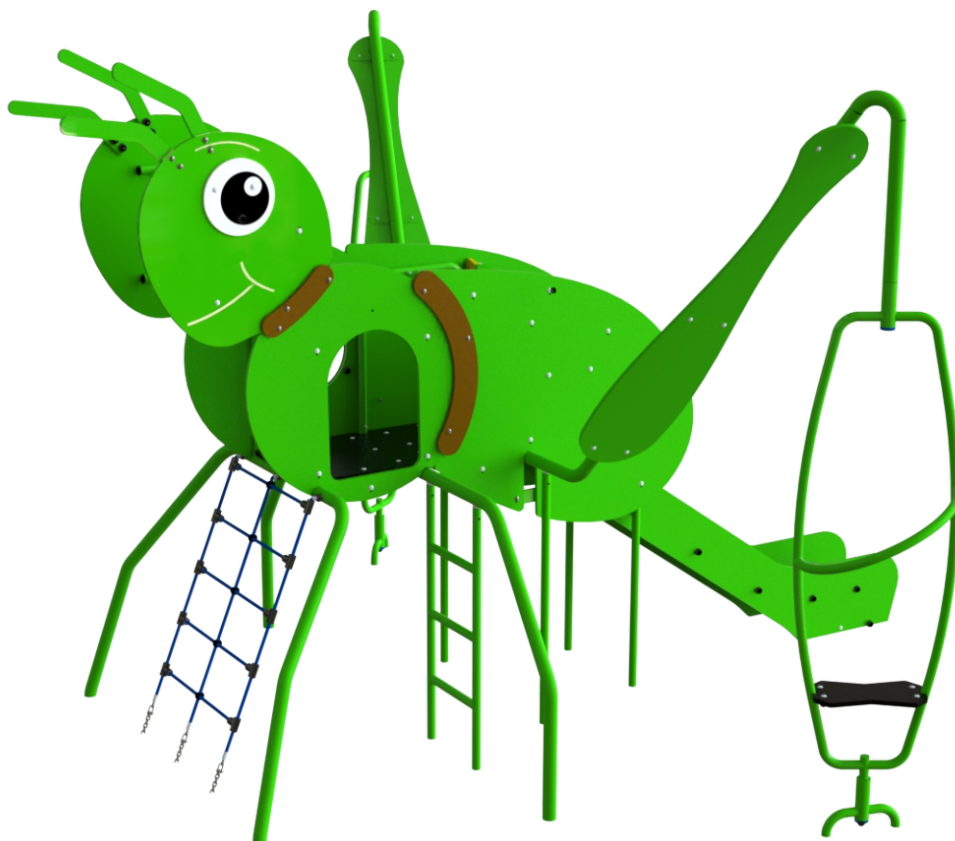


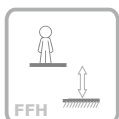
Gafanphoto

ref. ELGAF001



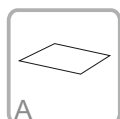
10 Users

3-14 Years



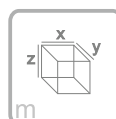
FFH

1.30 m



A

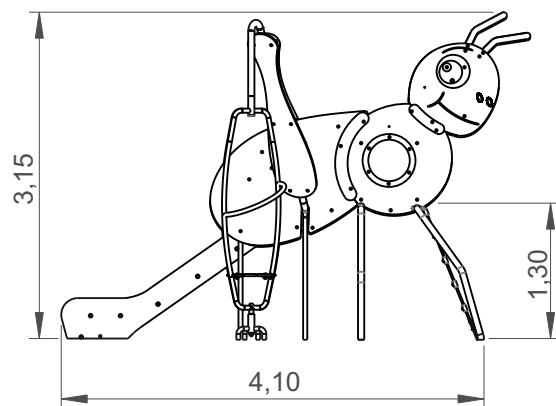
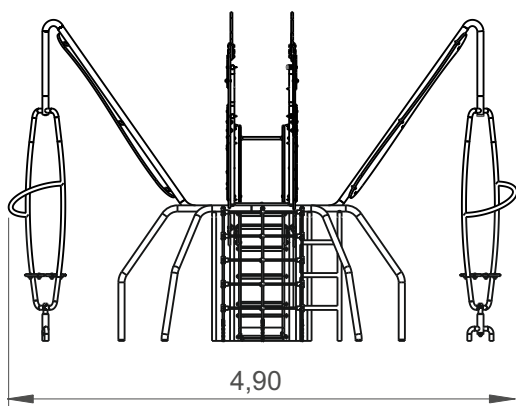
61 m²



m

x= 3.90
y= 4.10
z= 3.15


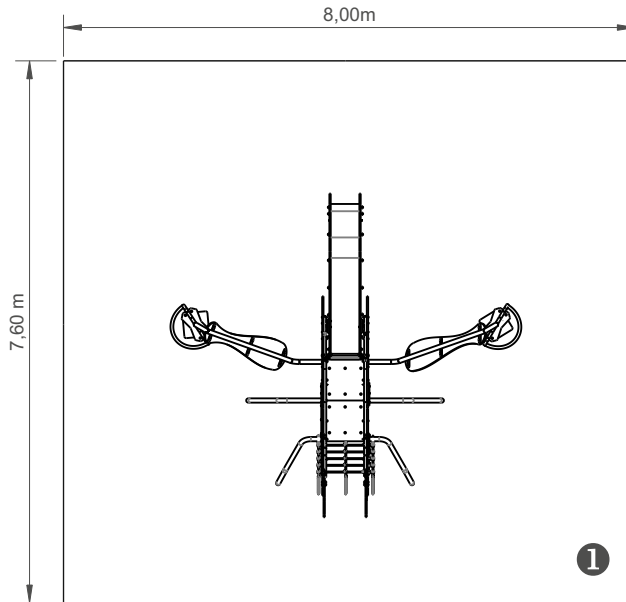
Data Sheet






Equipment Information:

— Impact area
 - - Free space

EN 1176-1,3

.....	①
	1,30
	61
	61

1,36m³



11h



2x








KG

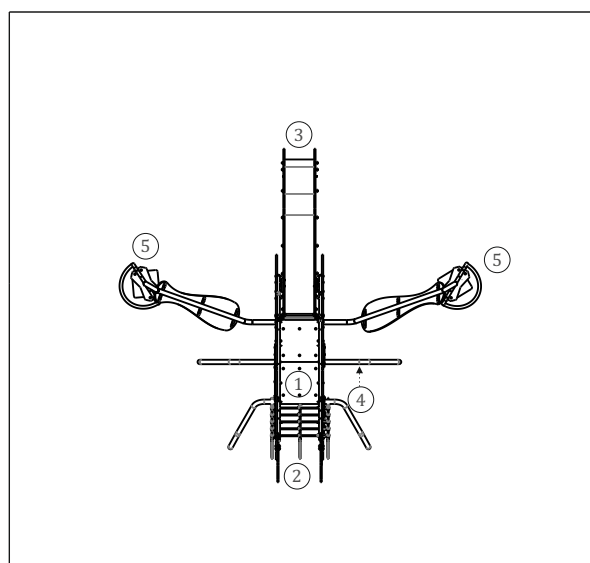


KG



Technical Information:

- 1 - Tower  1.30m
- 2 - Rope Ladder  1.30m
- 3 - Slide  1.30m
- 4 - Ladder  1.30m
- 5 - Gyrostat  0.60m



Technical Characteristics:



bragmaia®

Panels

HDPE: Monocolour/bicolour high density polyethylene. It is a polymer so it is characterized by its resistance to corrosion and chemical products. By its capacity of elasticity and lightweight, it offers high resistance to impacts, and, therefore, very difficult to break. The non-slip surface offers security to children and the synthetic base prevents grow of bacterias and fungus. No need for maintenance;

Marine plywood: Non-slip, bonded with phenolic resins resistant to the weather and U.V., according to EL 314-2/classe 3 (DIN 68 TS TCIL3: BFU 100, BS 6566 PART 8 : WBP);

Net: Ø16mm steel ropes coated in reinforced polypropylene fibers, connection accessories in HDPE with U.V. protection, fixing elements in galvanized hot steel;

Acrylic: Composed of 70% of conifer fibers and 30% of thermosetting resin, resistant to the weather. (Sun, rain, humidity, etc.);

Metal parts

Tubes:

Iron: Anticorrosive treatment of hot dip galvanizing in accordance with EN ISO 1461;

Sliding surface: Stainless steel plate AISI 304, bent and rolled from one piece;

Fixation System:

Type B - Standard fixation system composed by steel base screwed to the ground with steel anchors;

Type C - Standard fixation system composed by posts applied directly in the ground with concrete;

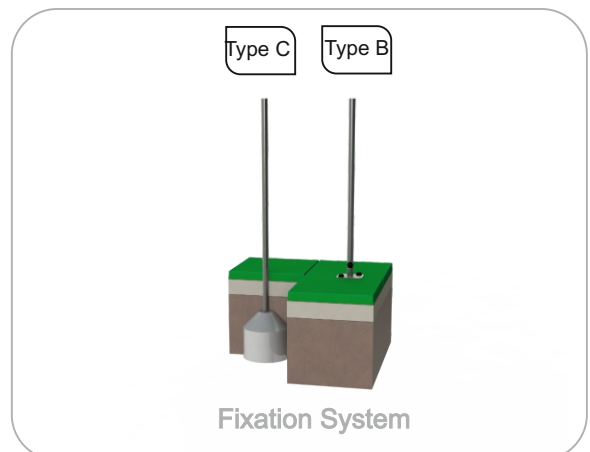
Screws and accessories

Screws: Galvanized steel or optionally stainless steel AISI 304;

Capsules: PP Polypropylene plastic;



100% recyclable;



Playful Activities:



Amuse: While they have fun, children acquire several capacities, since physical abilities to social interactions.



Socialize: The socialization and imagination are necessary in all games. All of it creates a relation between children and arouses the sense of coexistence and solidarity.



Play: Develops both patience, sharing and sportsmanship.



Sliding: A sloped surface allows the child to slide in great velocity, a sensation that makes him feel alive and learn to control his movements, reflexes and psychomotor abilities.