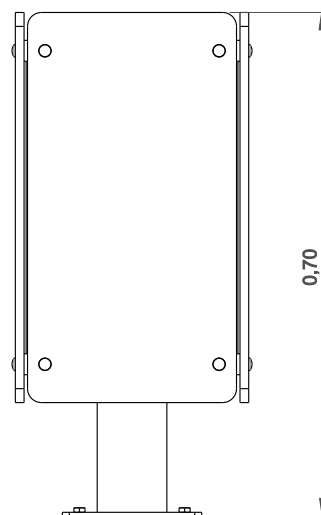
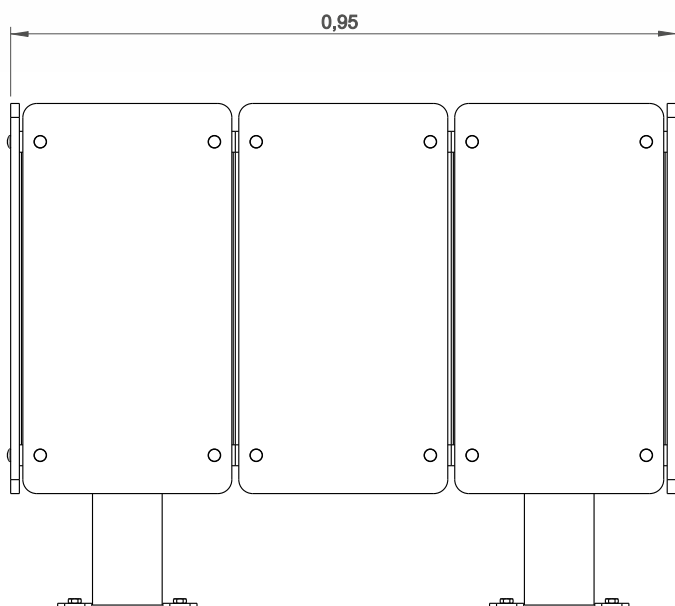


Harvardi ECO

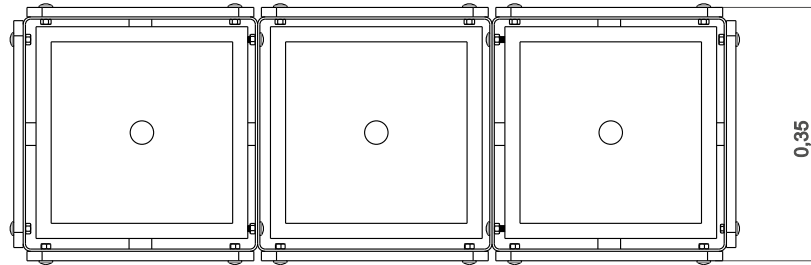
ref. EJRHIP022



Data Sheet

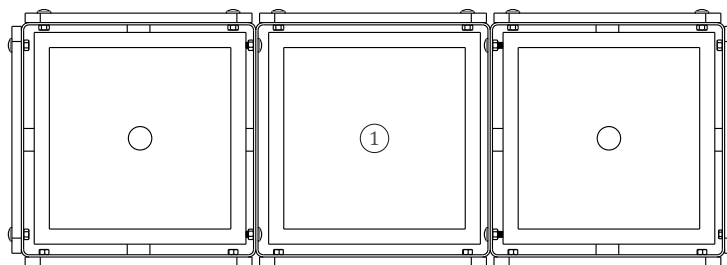


Equipment Information:



Technical Information:

1 - Harvardi ECO Litter Bin



Technical Characteristics:



Panels

HDPE: Monocolour/bicolour high density polyethylene. It is a polymer so it is characterized by its resistance to corrosion and chemical products. By its capacity of elasticity and lightweight, it offers high resistance to impacts, and, therefore, very difficult to break. The synthetic base prevents grow of bacterias and fungus. No need for maintenance;

Metal Parts

Bin: Galvanized steel sheet;

Structure

Iron: Gel type lacquer at 230 ° C with thickness ranging from 50 to 70µm, according to the UNE EN ISO 2808;

Fixation System:

Type B - Standard fixation system composed by steel base screwed to the ground with steel anchors;

Screws and accessories

Screws: Galvanized steel or optionally stainless steel AISI 304;



100% recyclable;

