



**Product technical sheet**

**ROBINIA RB1326**



1+



5 kids



17,9 m<sup>2</sup>

**Material specification**

- Construction made of Robinia - very durable acacia wood with a diameter of ~ 18 cm without sharp edges, resistant to weather conditions,
- Educational panels and moving elements made of HPL plate, resistant to weather conditions,
- Elements made of safe, certified rubber with textile reinforcement,
- Steel ropes in polypropylene braid, connected with durable plastic elements, stainless steel or aluminum,
- Seats/backrests made of Robinia - very durable acacia wood without sharp edges, resistant to weather conditions,
- Calibrated stainless steel chains, preventing fingers entrapment,
- Screws covered with plastic caps and/or stainless steel screws,



**Facilitating disability**



easy access



integration



**Intellectual development**



manipulation



sensorics



thinking



**Physical development**



community

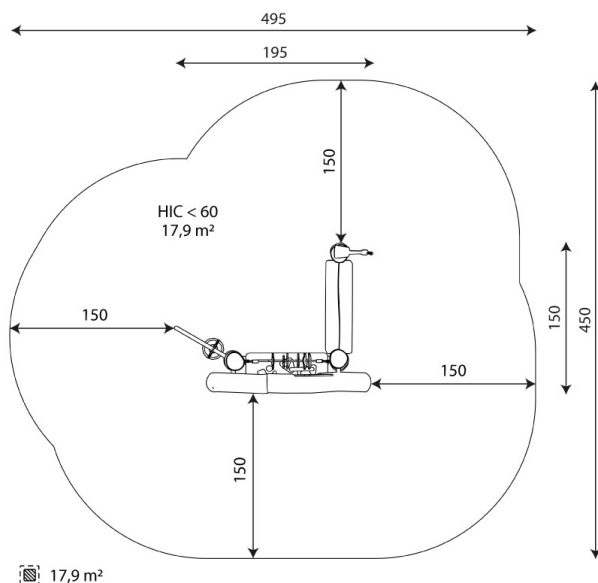


rest

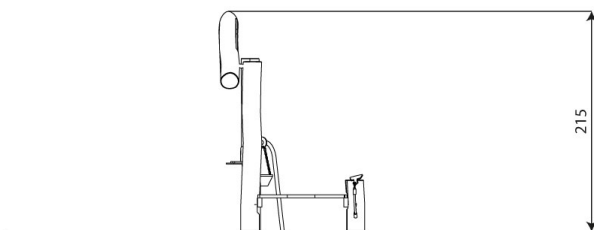




**3**  
number of interactive elements



17,9 m²



## Product technical sheet

# ROBINIA RB1326

### Product data

Length	195 cm
Width	150 cm
Total height	215 cm
Age group	1+ years
Number of users	5 kids
Safety zone	17,9 m²
Free fall height	< 60 cm
In accordance with norm EN	1176-1:2017+A1:2023
Weight of the heaviest part	54 kg
Dimensions of the largest part	238x18x18 cm
Availability of spare parts	YES
Installation time	2 h

Data is subject to change without prior notice.

### Additional information

- equipment adapted for the disabled; intended for public playgrounds;
- equipment has a certificate issued by an accredited entity or a declaration of conformity;
- no sharp edges or chinks that would pose a danger of jamming the head, fingers or any other body parts;
- anchoring on flat surface, 80/70/60 cm deep;
- render is for reference only, the actual appearance of the equipment and its color may vary;

## Guarantee

**30**

30 year guarantee - Durability of steel and stainless steel structural elements

**15**

15 year guarantee - Durability of steel and stainless steel structures of mobile devices; durability of Robinia wood structural elements

**10**

10 year guarantee - Structural strength of HDPE, 100% recycled HDPE and HPL elements; structural elements made of 100% recycled material (composite)

**5**

5 year guarantee - Corrosion resistance of stainless steel and hot-dip galvanized and powder-coated steel elements, resistance to bark beetles and rotting of wooden structural elements

Detailed information in the guarantee card



## Surfaces according to EN 1176-1:2017+A1:2023

	Description (mm)	Layer thickness (cm)	Maximum fall heights (cm)
Turf/ top layer of soil (A,B,C)	-	-	≤100
bark (A,C)	Particle size from 20 to 80	30	≤200
		40	≤300
woodchips (A,C)	Particle size from 5 to 30	30	≤200
		40	≤300
sand or gravel (A,C)	Particle size from 0,25 to 8	30	≤200
		40	≤300
synthetic attested (A,B,C)	Tested according to EN 1177		< 60

## Product technical sheet

# ROBINIA RB1326

### Amount of safe surface corresponding with free fall height:

HIC <60 17,9 m<sup>2</sup>

Data is subject to change without prior notice.

