

ROBINIA RB1314



5+



12 kids



54,1 m²



Material specification

- Construction made of Robinia - very durable acacia wood with a diameter of ~ 18 cm without sharp edges, resistant to weather conditions,
- Platforms made of Robinia - very durable acacia wood, resistant to weather conditions,
- Side panels made of Robinia - very durable acacia wood without sharp edges, resistant to weather conditions
- Slides made of stainless steel,
- Fireman's pole made of stainless steel,
- Steel ropes in polypropylene braid, connected with durable plastic elements, stainless steel or aluminum,
- Calibrated stainless steel chains, preventing fingers entrapment,
- Handles made of steel rope in polypropylene braid,
- Screws covered with plastic caps and/or stainless steel screws,



Physical development



balance



sliding



community



passage



climbing





2
number of
towers



1
number of
slides

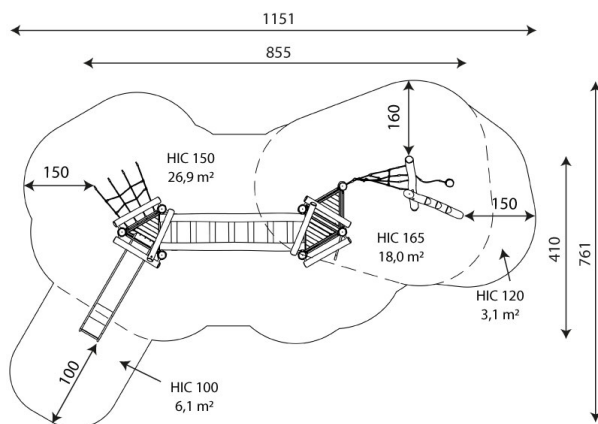


4
number of activity
elements

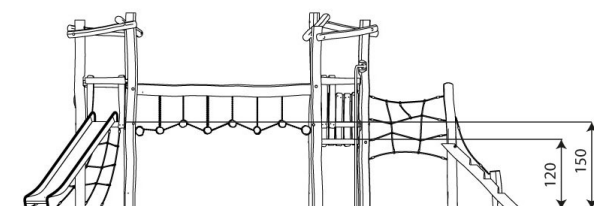
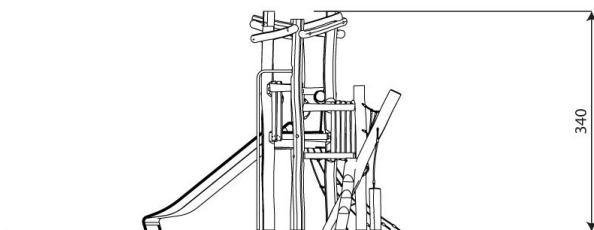
Product technical sheet

ROBINIA RB1314

Product data



54,1 m²



Length	855 cm
Width	410 cm
Total height	340 cm
Age group	5+ years
Number of users	12 kids
Safety zone	54,1 m2
Free fall height	165 cm
The height of the platforms	120, 150 cm
slide platform height	150 cm
In accordance with norm EN	1176-1:2017+A1:2023
Weight of the heaviest part	97 kg
Dimensions of the largest part	420x18x18 cm
Availability of spare parts	YES
Installation time	10 h

Data is subject to change without prior notice.

Additional information

- equipment intended for public playgrounds;
- equipment has a certificate issued by an accredited entity or a declaration of conformity;
- no sharp edges or chinks that would pose a danger of jamming the head, fingers or any other body parts;
- anchoring on flat surface, 80/70 cm deep;
- slide should not be installed southwards;
- render is for reference only, the actual appearance of the equipment and its color may vary;

Guarantee

30

30 year guarantee - Durability of steel and stainless steel structural elements

15

15 year guarantee - Durability of steel and stainless steel structures of mobile devices; durability of Robinia wood structural elements

10

10 year guarantee - Structural strength of HDPE, 100% recycled HDPE and HPL elements; structural elements made of 100% recycled material (composite)

5

5 year guarantee - Corrosion resistance of stainless steel and hot-dip galvanized and powder-coated steel elements, resistance to bark beetles and rotting of wooden structural elements

Detailed information in the guarantee card



Surfaces according to EN 1176-1:2017+A1:2023

	Description (mm)	Layer thickness (cm)	Maximum fall heights (cm)
Turf/ top layer of soil (A,B,C)	-	-	≤100
bark (A,C)	Particle size from 20 to 80	30	≤200
		40	≤300
woodchips (A,C)	Particle size from 5 to 30	30	≤200
		40	≤300
sand or gravel (A,C)	Particle size from 0,25 to 8	30	≤200
		40	≤300
synthetic attested (A,B,C)	Tested according to EN 1177		165

Product technical sheet

ROBINIA RB1314

Amount of safe surface corresponding with free fall height:

HIC 100	6,1 m ²
HIC 120	3,1 m ²
HIC 150	26,9 m ²
HIC 165	18,0 m ²

Data is subject to change without prior notice.

