

**ROBINIA RB1307**



1+



7 kids



27,1 m<sup>2</sup>



**Material specification**

- Construction made of Robinia - very durable acacia wood with a diameter of ~ 18 cm without sharp edges, resistant to weather conditions,
- Platforms made of Robinia - very durable acacia wood, resistant to weather conditions,
- Transparent polycarbonate panels resistant to weather conditions,
- Side panels made of Robinia - very durable acacia wood without sharp edges, resistant to weather conditions
- Slides made of stainless steel,
- Colorful elements made of durable HPL plate, resistant to weather conditions,
- Calibrated stainless steel chains, preventing fingers entrapment,
- Stainless steel handrails,
- Handles made of steel rope in polypropylene braid,
- Screws covered with plastic caps and/or stainless steel screws,



**Intellectual development**



manipulation



thinking



**Physical development**



balance



sliding



community





**1**  
number of towers



**1**  
number of slides



**1**  
number of interactive elements

**Product technical sheet**

**ROBINIA RB1307**

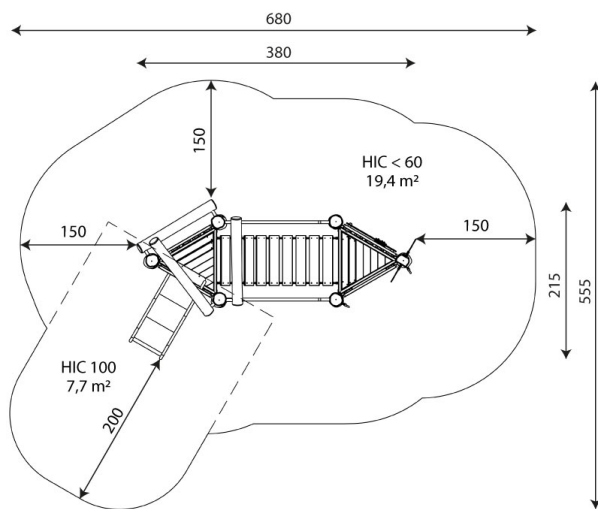
**Product data**

Length	380 cm
Width	215 cm
Total height	270 cm
Age group	1+ years
Number of users	7 kids
Safety zone	27,1 m <sup>2</sup>
Free fall height	<60 cm
The height of the platforms	30, 59 cm
slide platform height	59 cm
In accordance with norm EN	1176-1:2017+A1:2023
Weight of the heaviest part	74 kg
Dimensions of the largest part	320x18x18 cm
Availability of spare parts	YES
Installation time	4 h

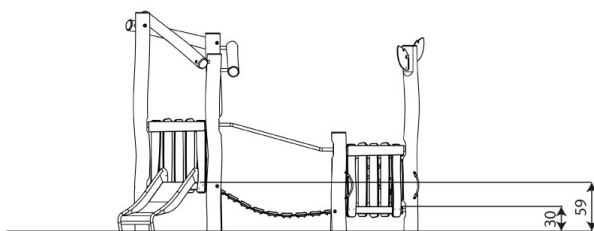
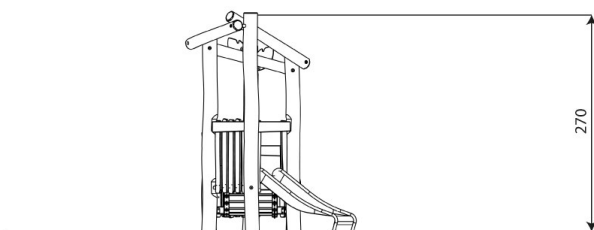
Data is subject to change without prior notice.

**Additional information**

- equipment intended for public playgrounds;
- equipment has a certificate issued by an accredited entity or a declaration of conformity;
- no sharp edges or chinks that would pose a danger of jamming the head, fingers or any other body parts;
- anchoring on flat surface, 80/70/60 cm deep;
- slide should not be installed southwards;
- render is for reference only, the actual appearance of the equipment and its color may vary;



27,1 m<sup>2</sup>



**Guarantee**

**30** 30 year guarantee - Durability of steel and stainless steel structural elements

**15** 15 year guarantee - Durability of steel and stainless steel structures of mobile devices; durability of Robinia wood structural elements

**10** 10 year guarantee - Structural strength of HDPE, 100% recycled HDPE and HPL elements; structural elements made of 100% recycled material (composite)

**5** 5 year guarantee - Corrosion resistance of stainless steel and hot-dip galvanized and powder-coated steel elements, resistance to bark beetles and rotting of wooden structural elements

Detailed information in the guarantee card



## Surfaces according to EN 1176-1:2017+A1:2023

	Description (mm)	Layer thickness (cm)	Maximum fall heights (cm)
Turf/ top layer of soil (A,B,C)	-	-	≤100
bark (A,C)	Particle size from 20 to 80	30	≤200
		40	≤300
woodchips (A,C)	Particle size from 5 to 30	30	≤200
		40	≤300
sand or gravel (A,C)	Particle size from 0,25 to 8	30	≤200
		40	≤300
synthetic attested (A,B,C)	Tested according to EN 1177		100

## Product technical sheet

# ROBINIA RB1307

### Amount of safe surface corresponding with free fall height:

HIC <60 19,4 m<sup>2</sup>

HIC 100 7,7 m<sup>2</sup>

Data is subject to change without prior notice.

