



## Product technical sheet

# ROBINIA RB1921



1+



7 kids



22,3 m<sup>2</sup>



## Material specification

- Construction made of Robinia - very durable acacia wood with a diameter of ~ 18 cm without sharp edges, resistant to weather conditions,
- Roofs made of strong Robinia acacia wood with colorful elements made of HPL plate, resistant to weather conditions,
- Side panels made of Robinia - very durable acacia wood without sharp edges, resistant to weather conditions
- Side panels made of durable HPL plate, resistant to weather conditions,
- Rubber door with textile reinforcement,
- Colorful elements made of durable HPL plate, resistant to weather conditions,
- Moving elements made of durable HPL plate, resistant to weather conditions,
- Flags made of HPL plate, resistant to weather conditions, mounted on a stainless steel structure,
- Windows made of Plexiglas mirrors in a safe cover made of HPL plate, resistant to weather conditions,
- Bucket made of safe, certified rubber with textile reinforcement,
- Elements made of safe, certified rubber with textile reinforcement,
- Steel ropes in polypropylene braid, connected with durable plastic elements, stainless steel or aluminum,
- Seats/backrests made of Robinia - very durable acacia wood without sharp edges, resistant to weather conditions,
- Attested, safe seats,
- Calibrated stainless steel chains, preventing fingers entrapment,
- Stainless steel swing fittings,
- Screws covered with plastic caps and/or stainless steel screws,



### Facilitating disability



easy access



mobility



shelters



seats



integration



### Intellectual development



manipulation



sight



thinking



### Physical development



hiding



community



rest



rocking



roofs





**1**  
number of towers



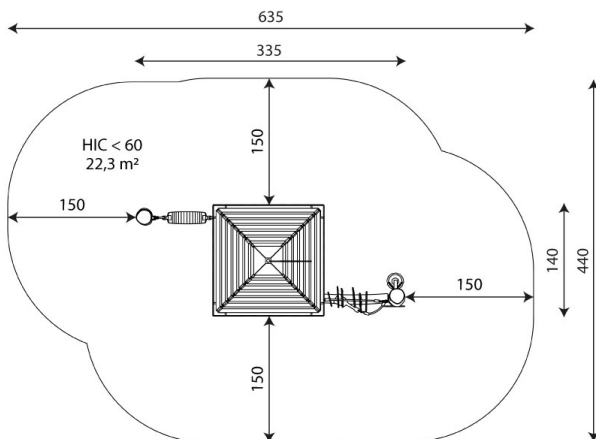
**1**  
number of roofs



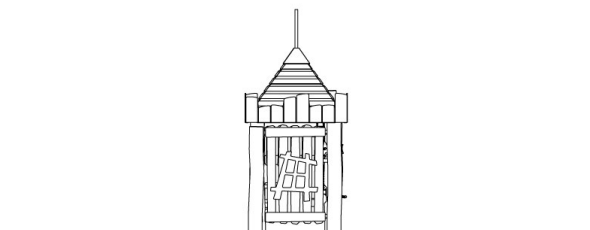
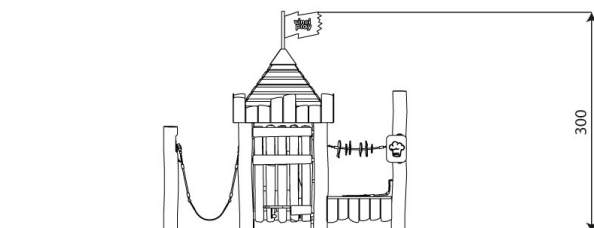
**6**  
number of interactive elements



**1**  
number of activity elements



22,3 m<sup>2</sup>



**Product technical sheet**

**ROBINIA RB1921**

**Product data**

Length	335 cm
Width	140 cm
Total height	300 cm
Age group	1+ years
Number of users	7 kids
Safety zone	22,3 m <sup>2</sup>
Free fall height	<60 cm
In accordance with norm EN	1176-1:2017+A1:2023
Availability of spare parts	YES

Data is subject to change without prior notice.

**Additional information**

- equipment adapted for the disabled; intended for public playgrounds;
- equipment has a certificate issued by an accredited entity or a declaration of conformity;
- no sharp edges or chinks that would pose a danger of jamming the head, fingers or any other body parts;
- anchoring on flat surface, 80/70/60 cm deep;
- render is for reference only, the actual appearance of the equipment and its color may vary;

**Guarantee**

**30** 30 year guarantee - Durability of steel and stainless steel structural elements

**15** 15 year guarantee - Durability of steel and stainless steel structures of mobile devices; durability of Robinia wood structural elements

**10** 10 year guarantee - Structural strength of HDPE, 100% recycled HDPE and HPL elements; structural elements made of 100% recycled material (composite)

**5** 5 year guarantee - Corrosion resistance of stainless steel and hot-dip galvanized and powder-coated steel elements, resistance to bark beetles and rotting of wooden structural elements

Detailed information in the guarantee card

Vinci Group Sp. z o.o.  
Seminaryjna 9 Street  
99-400 Łowicz

VAT: 534-250-14-46  
PHONE: +48 42 203 24 99 ext. 26  
M: +48 793 404 991



biuro@vinci-play.com  
info@vinci-play.com  
[www.vinci-play.com](http://www.vinci-play.com)

## Surfaces according to EN 1176-1:2017+A1:2023

	Description (mm)	Layer thickness (cm)	Maximum fall heights (cm)
Turf/ top layer of soil (A,B,C)	-	-	≤100
bark (A,C)	Particle size from 20 to 80	30	≤200
		40	≤300
woodchips (A,C)	Particle size from 5 to 30	30	≤200
		40	≤300
sand or gravel (A,C)	Particle size from 0,25 to 8	30	≤200
		40	≤300
synthetic attested (A,B,C)	Tested according to EN 1177		<60

## Product technical sheet

# ROBINIA RB1921

### Amount of safe surface corresponding with free fall height:

HIC <60 22,3 m<sup>2</sup>

Data is subject to change without prior notice.

