



Product technical sheet

ROBINIA RB1901



6+



13 kids



30,3 m²



Material specification

- Construction made of Robinia - very durable acacia wood with a diameter of ~ 18 cm without sharp edges, resistant to weather conditions,
- Platforms made of Robinia - very durable acacia wood, resistant to weather conditions,
- Roofs made of strong Robinia acacia wood with colorful elements made of HPL plate, resistant to weather conditions,
- Side panels made of Robinia - very durable acacia wood without sharp edges, resistant to weather conditions
- Side panels made of durable HPL plate, resistant to weather conditions,
- Slides made of stainless steel,
- Colorful elements made of durable HPL plate, resistant to weather conditions,
- Moving elements made of durable HPL plate, resistant to weather conditions,
- Telescope made of stainless steel and durable HDPE plate, resistant to weather conditions,
- Flags made of HPL plate, resistant to weather conditions, mounted on a stainless steel structure,
- Windows made of Plexiglas mirrors in a safe cover made of HPL plate, resistant to weather conditions,
- Elements made of safe, certified rubber with textile reinforcement,
- Grates made of safe, certified rubber with textile reinforcement,
- Climbing stones made of durable HPL plate, resistant to weather conditions, and stainless steel,
- Steel ropes in polypropylene braid, connected with durable plastic elements, stainless steel or aluminum,
- Calibrated stainless steel chains, preventing fingers entrapment,
- Screws covered with plastic caps and/or stainless steel screws,



Facilitating disability



easy access



shelters



integration



Intellectual development



manipulation



thinking



Physical development



hiding



sliding



observation



community



passage



climbing



roofs





1
number of towers



1
number of slides



1
number of roofs



8
number of interactive elements



2
number of activity elements

Product technical sheet

ROBINIA RB1901

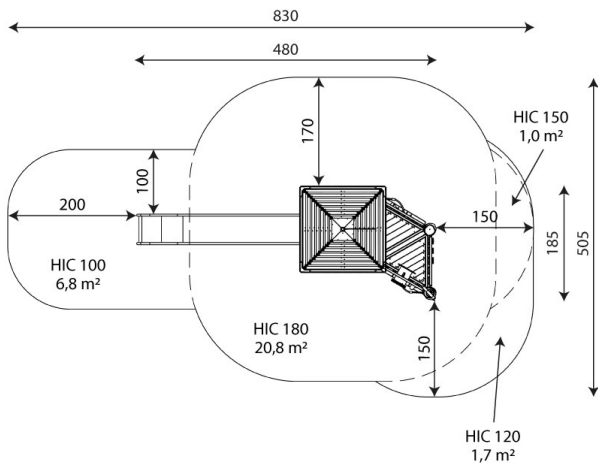
Product data

Length	480 cm
Width	185 cm
Total height	445 cm
Age group	6+ years
Number of users	13 kids
Safety zone	30,3 m ²
Free fall height	180 cm
The height of the platforms	120, 150, 180 cm
slide platform height	180 cm
In accordance with norm EN	1176-1:2017+A1:2023
Availability of spare parts	YES

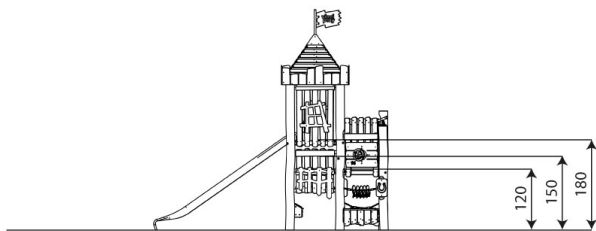
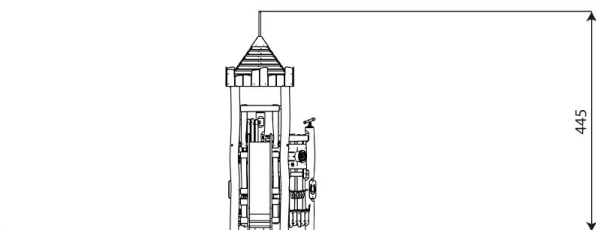
Data is subject to change without prior notice.

Additional information

- equipment adapted for the disabled; intended for public playgrounds;
- equipment has a certificate issued by an accredited entity or a declaration of conformity;
- no sharp edges or chinks that would pose a danger of jamming the head, fingers or any other body parts;
- anchoring on flat surface, 80/70/60 cm deep;
- slide should not be installed southwards;
- render is for reference only, the actual appearance of the equipment and its color may vary;



30,3 m²



Guarantee

30

30 year guarantee - Durability of steel and stainless steel structural elements

15

15 year guarantee - Durability of steel and stainless steel structures of mobile devices; durability of Robinia wood structural elements

10

10 year guarantee - Structural strength of HDPE, 100% recycled HDPE and HPL elements; structural elements made of 100% recycled material (composite)

5

5 year guarantee - Corrosion resistance of stainless steel and hot-dip galvanized and powder-coated steel elements, resistance to bark beetles and rotting of wooden structural elements

Detailed information in the guarantee card

Vinci Group Sp. z o.o.
Seminaryjna 9 Street
99-400 Łowicz

VAT: 534-250-14-46
PHONE: +48 42 203 24 99 ext. 26
M: +48 793 404 991



Surfaces according to EN 1176-1:2017+A1:2023

	Description (mm)	Layer thickness (cm)	Maximum fall heights (cm)
Turf/ top layer of soil (A,B,C)	-	-	≤100
bark (A,C)	Particle size from 20 to 80	30	≤200
		40	≤300
woodchips (A,C)	Particle size from 5 to 30	30	≤200
		40	≤300
sand or gravel (A,C)	Particle size from 0,25 to 8	30	≤200
		40	≤300
synthetic attested (A,B,C)	Tested according to EN 1177		180

Product technical sheet

ROBINIA RB1901

Amount of safe surface corresponding with free fall height:

HIC 100	6,8 m ²
HIC 120	1,7 m ²
HIC 150	1,0 m ²
HIC 180	20,8 m ²

Data is subject to change without prior notice.

