

# Long Nose Truck

NRO562

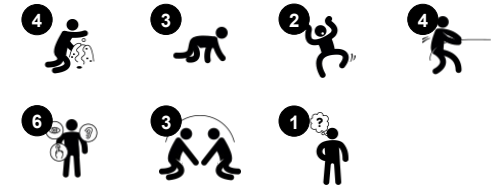
**KOMPAN**  
Let's play



Item no. NRO562-1021

## General Product Information

Dimensions LxWxH	508x201x262 cm
Age group	2+
Play capacity (users)	10
Colour options	



The Long Nose Truck appeals hugely to children and invites for hours of dramatic play, again and again. The varied climb and crawl activities in the truck's sides and front ensures physical activity that trains cross-body coordination. This builds body confidence and stimulates the cross-modal perception which supports e.g. reading skills. The gear shift and

steering wheel add to the imagined driving. Dramatic play is the favorite play type for younger children. Apart from building an understanding of the world, dramatic play trains language, communication and social-emotional skills intensely and builds the fundament of learning and making friends for life.



# Long Nose Truck

NRO562



All Organic Robinia products by KOMPAN are made of Robinia wood from sustainable European sources. On request it can be supplied as FSC® Certified (FSC® C004450).



The paint used for coloured components is water based environmental friendly with excellent UV resistance. The paint is in compliance with EN 71 Part 3.



The Robinia products are designed with a KOMPAN colour concept with a number of different standard colours. The wood can also be supplied as untreated or with brown painted with a pigment that maintains the wood colour.



There are Multiple footing options for all products: Surface anchoring with steel footings and expansion bolts. Wood in-ground or steel in-ground footings.



Panels of 19mm EcoCore™. EcoCore™ is a highly durable, eco friendly material, which is not only recyclable after use, but also consists of a core produced from 100% recycled post consumer material from food packing waste.



The Robinia wood can be supplied as untreated raw wood, painted with a brown coloured transparent pigment that maintains the golden wood colour or in a coloured version where selected components are painted in different colours.

Item no. NRO562-1021

### Installation Information

Max. fall height	58 cm
Safety surfacing area	34.8 m <sup>2</sup>
Total installation time	33.2
Excavation volume	1.41 m <sup>3</sup>
Concrete volume	0.05 m <sup>3</sup>
Footing depth (standard)	100 cm
Shipment weight	1,499 kg
Anchoring options	Surface ✓ In-ground ✓

### Warranty Information

Robinia wood	15 years
Stainless steel components	Lifetime
Hot dip galvanised steel	Lifetime
EcoCore HDPE	Lifetime
Spare parts guaranteed	10 years





Cradle to Gate A1-A3	Total CO <sub>2</sub> emission	CO <sub>2</sub> e/kg	Recycled materials
	kg CO <sub>2</sub> e	kg CO <sub>2</sub> e/kg	%
NRO562-1021	746.90	0.66	6.70
NRO562-1001	739.20	0.66	6.50

The overall framework applied for these factors is the Environmental Product Declaration (EPD), which quantifies "environmental information on the life cycle of a product and enable comparisons between products fulfilling the same function" (ISO, 2006). This follows the structure and applies a Life-Cycle Assessment approach to the entire Product stage from raw material through manufacturing (A1-A3))

**Kompan A/S**  
 C.F. Tietgens Boulevard 32C  
 DK-5220 Odense SØ  
 Denmark



### Validation of CO<sub>2</sub> calculation of: Nature play



Data version no. 2021-09-27

The CO<sub>2</sub> calculation and data are in compliance with the principles of a carbon footprint impact according to the GHG protocol (Greenhouse Gas Protocol), Scope 3, cradle to gate related to all individual components in the product category: "Nature play" represented by item no.: NRO409-0621. (Scope 3 emissions include emission sources in the upstream and downstream value chain).

**Date: 15. October 2021 | Valid until: 15. October 2023**

Validated by:

Bente Hviid, Senior Consultant

Peter Bendtsen, Senior Consultant

Validation based on report: Validation of CO<sub>2</sub> calculation of 8 categories of Kompan product line, version 1.0, prepared by: Bureau Veritas HSE, Denmark: Bente Hviid and Peter Bendtsen.

**Publication date: 15. October 2021**

By Bureau Veritas HSE  
 www.bureauveritas.dk  
 +45 7731 1000

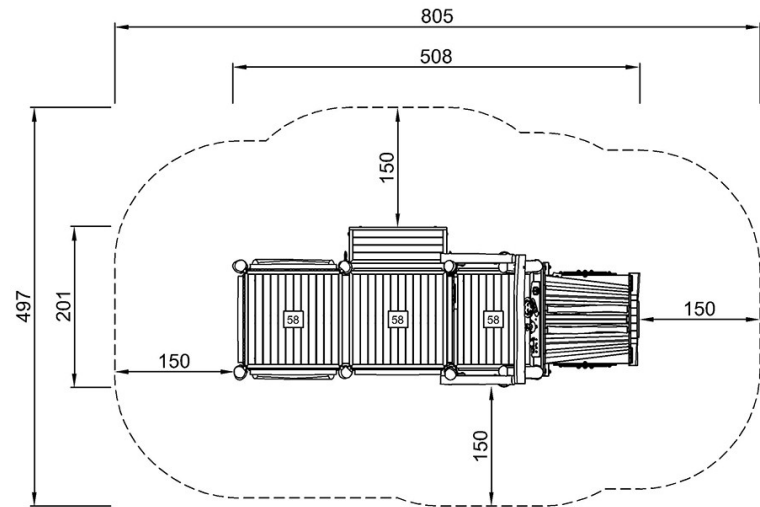


# Long Nose Truck

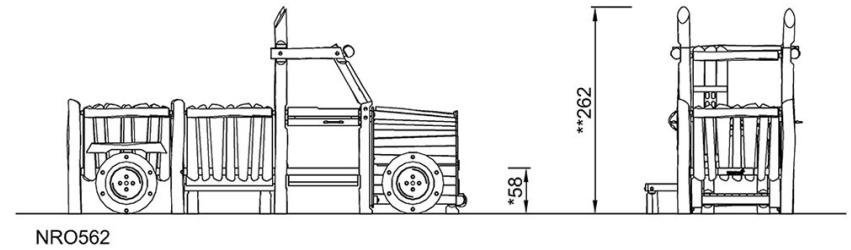
NRO562

\* Max fall height | \*\* Total height | \*\*\* Safety surfacing area

\* Max fall height | \*\* Total height



NRO562  
\*58cm  
\*\*262cm  
\*\*\*34.8m<sup>2</sup>



[Click to see TOP VIEW](#)

[Click to see SIDE VIEW](#)