



Product technical sheet

WOODEN WD1430



1 - 8 years



9 kids



16,2 m²



Material specification

- Construction made of the highest quality laminated, impregnated and double coated pine wood 90 x 90 mm without knots, secured from the top with polypropylene plugs,
- Metal anchors made of hot dip galvanized steel, protecting the wood from direct contact with the ground to prevent rot and to extend the product's life,
- Side panels made of durable HDPE or HPL plate, resistant to weather conditions,
- Educational panels and moving elements made of HDPE or HPL plate, resistant to weather conditions,
- Steering wheel made of durable HDPE plate, resistant to weather conditions,
- Steel ropes in polypropylene braid, connected with durable plastic elements, stainless steel or aluminum,
- Stainless steel bars,
- Screws covered with plastic caps and/or stainless steel screws,
- Safe end caps made of polypropylene,



Facilitating disability



easy access



integration



Intellectual development



manipulation



thinking



Physical development



hiding



rest



climbing





4

number of interactive elements



1

number of activity elements

Product technical sheet

WOODEN WD1430

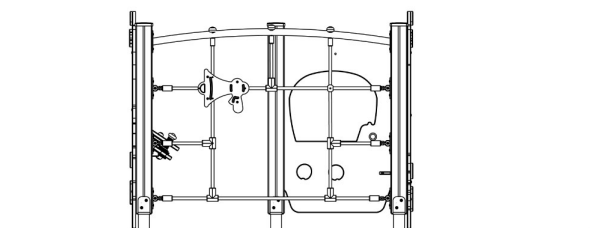
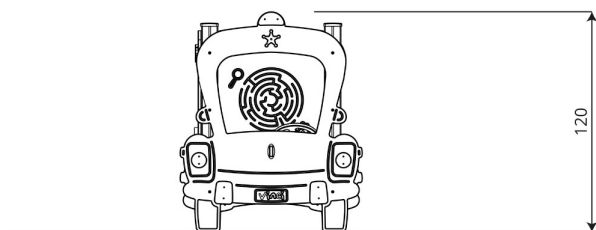
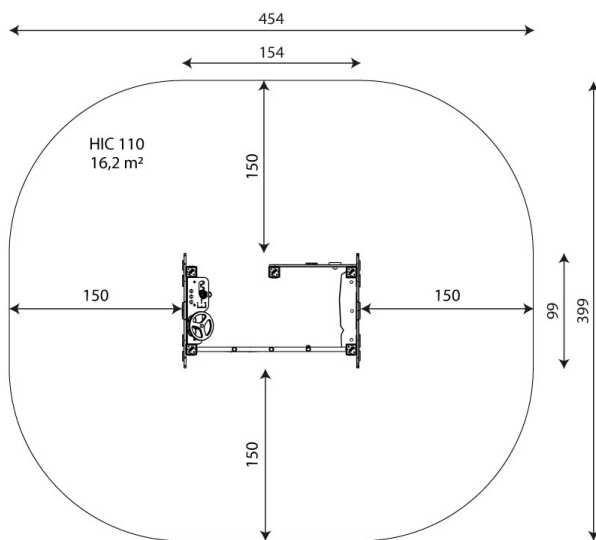
Product data

Length	154 cm
Width	99 cm
Total height	120 cm
Age group	1 - 8 years
Number of users	9 kids
Safety zone	16,2 m ²
Free fall height	110 cm
In accordance with norm EN	1176-1:2017+A1:2023
Weight of the heaviest part	10 kg
Dimensions of the largest part	151x100x2 cm
Availability of spare parts	YES
Installation time	2,5 h

Data is subject to change without prior notice.

Additional information

- equipment adapted for the disabled; intended for public playgrounds;
- equipment has a certificate issued by an accredited entity or a declaration of conformity;
- no sharp edges or chinks that would pose a danger of jamming the head, fingers or any other body parts;
- anchoring on flat surface, 80/70/60 cm deep;
- render is for reference only, the actual appearance of the equipment and its color may vary;



Guarantee

30

30 year guarantee - Durability of steel and stainless steel structural elements

15

15 year guarantee - Durability of steel and stainless steel structures of mobile devices; durability of Robinia wood structural elements

10

10 year guarantee - Structural strength of HDPE, 100% recycled HDPE and HPL elements; structural elements made of 100% recycled material (composite)

5

5 year guarantee - Corrosion resistance of stainless steel and hot-dip galvanized and powder-coated steel elements, resistance to bark beetles and rotting of wooden structural elements

Detailed information in the guarantee card



Surfaces according to EN 1176-1:2017+A1:2023

	Description (mm)	Layer thickness (cm)	Maximum fall heights (cm)
Turf/ top layer of soil (A,B,C)	-	-	≤100
bark (A,C)	Particle size from 20 to 80	30	≤200
		40	≤300
woodchips (A,C)	Particle size from 5 to 30	30	≤200
		40	≤300
sand or gravel (A,C)	Particle size from 0,25 to 8	30	≤200
		40	≤300
synthetic attested (A,B,C)	Tested according to EN 1177		110

Product technical sheet

WOODEN WD1430

Amount of safe surface corresponding with free fall height:

HIC 110 16,2 m²

Data is subject to change without prior notice.

