

CASTILLO 3030



4 - 14 years



46 kids



51,5 m²



Material specification

- Powder galvanized and powder coated or stainless steel construction of 80 x 80 cm profile,
- Platforms and climbing walls made of durable anti-slip and waterproof HPL plate,
- Roofs and side panels made of durable HDPE plate, resistant to weather conditions,
- Slides made of stainless steel,
- Stainless steel tube slide,
- Maze windows made of polycarbonate, balls made of synthetic material,
- Educational panels and moving elements made of HDPE plate, resistant to weather conditions,
- Music panels made of durable HDPE plate, resistant to weather conditions,
- Durable climbing stones made of polyester resin composite with mineral fillers,
- Steel ropes in polypropylene braid, connected with durable plastic elements, stainless steel or aluminum,
- Attested, safe seats,
- Calibrated stainless steel chains, preventing fingers entrapment,
- Stainless steel bars and handrails,
- Stainless steel screws and/or screws covered with plastic caps,
- Safe end caps on top of the structure made of rubber or polypropylene,
- Transparent polycarbonate panels with a permanent print resistant to scratches and weather conditions



Facilitating disability



easy access



shelters



integration



Intellectual development



sensory



music



thinking



Physical development



hiding



sliding





1
number of towers



2
number of slides



5
number of roofs



8
number of interactive elements



6
number of fitness elements

Product technical sheet
CASTILLO 3030

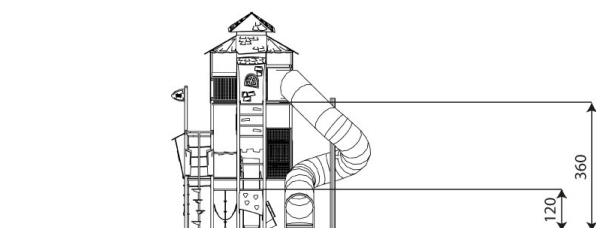
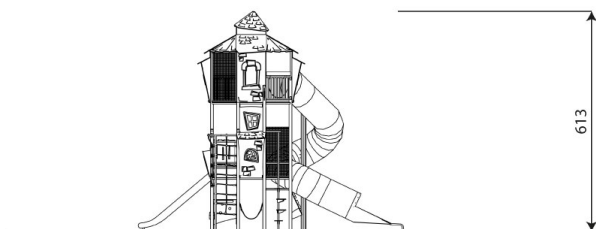
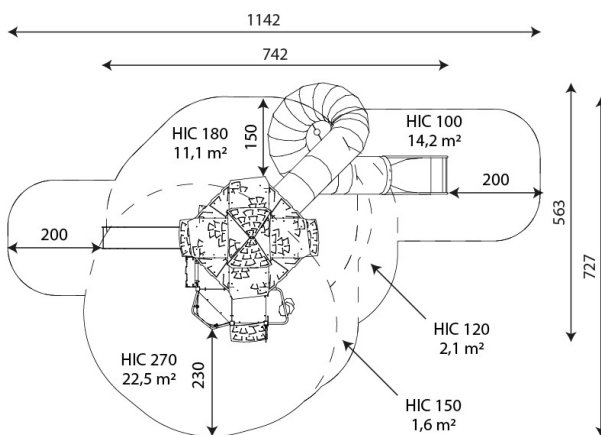
Product data

Length	742 cm
Width	563 cm
Total height	613 cm
Age group	4 - 14 years
Number of users	46 kids
Safety zone	51,5 m ²
Free fall height	270 cm
The height of the platforms	120, 150, 180, 270, 360 cm
In accordance with norm EN	1176-1:2017
Weight of the heaviest part	210 kg
Dimensions of the largest part	8x8x585 cm
Availability of spare parts	YES
Installation time	24 h
Color options	

Data is subject to change without prior notice.

Additional information

- equipment intended for public playgrounds;
- equipment has a certificate issued by an accredited entity or a declaration of conformity;
- no sharp edges or chinks that would pose a danger of jimmieing the head, fingers or any other body parts;
- anchoring on flat surface, 80/70 cm deep;
- slide should not be installed southwards;
- render is for reference only, the actual appearance of the equipment and its color may vary;



Guarantee

30

30 year guarantee - Structural strength of steel and stainless steel components

15

15 year guarantee - Structural failure of steel and stainless steel, for dynamic equipment

10

10 year guarantee - Structural failure of high density polyethylene and high pressure laminates components

5

5 year guarantee - Corrosion of stainless steel and hot dip galvanized and powder coated components; against bark beetles and rot in case of wooden structural elements

Detailed information in the guarantee card

Vinci Group Sp. z o.o.
Seminarnyjna 9 Street
99-400 Łowicz

VAT: 534-250-14-46
PHONE: +48 42 203 24 99 ext. 26
M: +48 793 404 991



biuro@vinci-play.com
info@vinci-play.com
www.vinci-play.com

Surfaces EN 1176-1:2017

	Description (mm)	Layer thickness (cm)	Maximum fall heights (cm)
Turf/ top layer of soil (A,B,C)	-	-	≤100
bark (A,C)	Particle size from 20 to 80	30	≤200
		40	≤300
woodchips (A,C)	Particle size from 5 to 30	30	≤200
		40	≤300
sand or gravel (A,C)	Particle size from 0,25 to 8	30	≤200
		40	≤300
synthetic attested (A,B,C)	Tested according to EN 1177		270

Product technical sheet

CASTILLO 3030

Amount of safe surface corresponding with free fall height:

HIC 100	14,2 m ²
HIC 120	2,1 m ²
HIC 150	1,6 m ²
HIC 180	11,1 m ²
HIC 270	22,5 m ²

Data is subject to change without prior notice.

