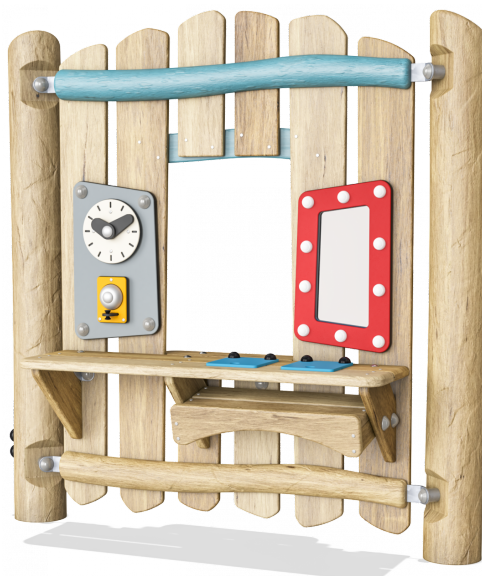


NRO603

Dress-up Wall with Mirror

KOMPAN[®]
Let's play



The Robinia Dress-Up wall with Mirror is a great play creator that invites numerous dramatic play scenarios: shop, make-up parlour, kitchen. It hugely attracts children in play for a long time, again and again. The table with flaps covering holes and the shelf under the table make for endless play and experimenting, shifting materials through holes. This stimulates the child's understanding of object permanence: that things can disappear out of sight but still exist. This is fundamental for understanding that people exist even if you don't see them and thus is an important cognitive skill. The window, clock and bell invite hours of dramatic play. This is known to stimulate language development. The mirror builds up the child's understanding of individuality and makes for hours of fun. The play panel as such encourage social interaction and cooperation in dramatic and explorative play.

Product Line	Organic Robinia
Category	Themed play, Castle and ships
Age group	1 - 6
Total height (CM)	151
Safety Zone	12.7 m ²



SOCIALIZE



CONSTRUCT



DRAMATIC PLAY



WONDER

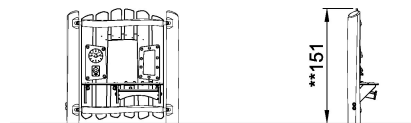
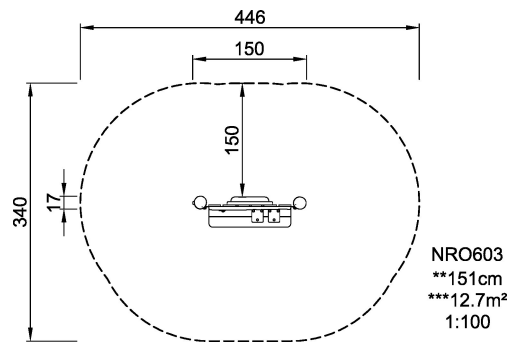


SENSORY



INCLUSIVE





NRO603
1:100

* = Highest designated play surface.
** = Total height of product.

Weight/heaviest parts	kg.	Installation (Manpower)	Persons
Concrete required	NaN m ³	Installation (Hours)	Hours
Foundation amount/footing	NaN	Excavation	NaN m ³