

NRO1014

The Monkey Tower

KOMPAN[®]
Let's play

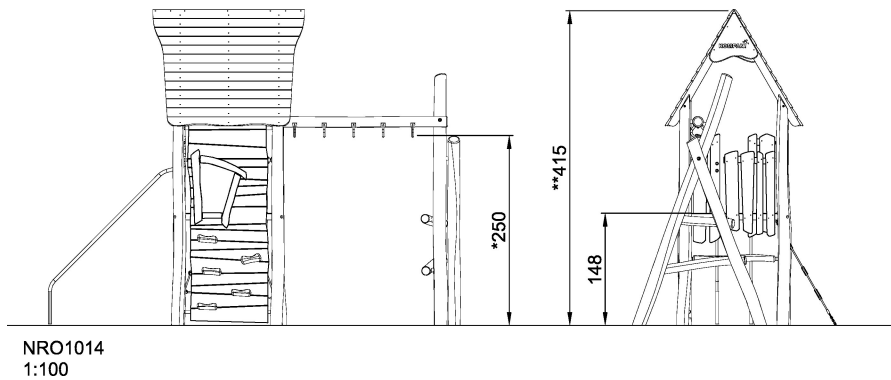
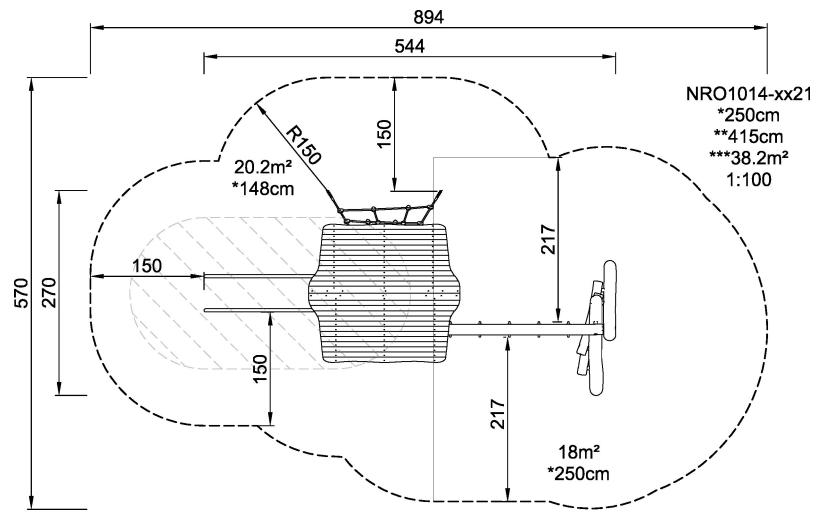


Classic play tower with climbing wall and boarding net access. Banister bars for fast exit and monkey bars as challenging overhead activity. The product is available in 3 versions: 1: Unthreatened Robinia wood. 2: Brown oiled wood. 3: Combined color and unthreatened wood. FSC® Certified (FSC® C004450) robinia wood on request.

Product Line	Organic Robinia
Category	Multi play structures
Age group	6 - 12
Max. fall height (CM)	250
Total height (CM)	415
Safety Zone	38.2 m ²



IN-
GROU.



* = Highest designated play surface.
** = Total height of product.

Weight/heaviest parts	kg.	Installation (Manpower)	Persons
Concrete required	NaN m3	Installation (Hours)	Hours
Foundation amount/footing	NaN	Excavation	NaN m3