

NRO1013

Slide & Swing Tower

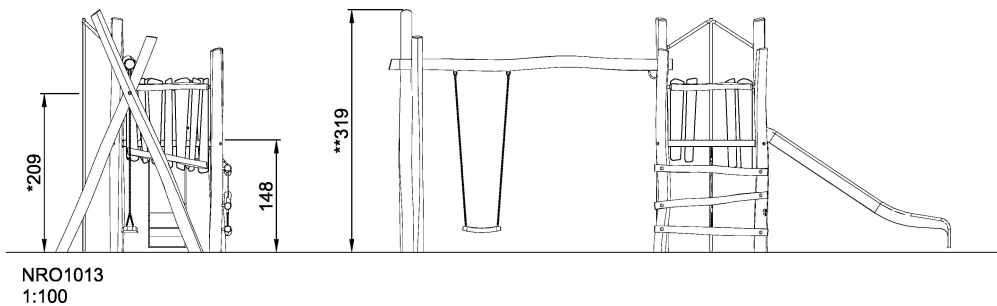
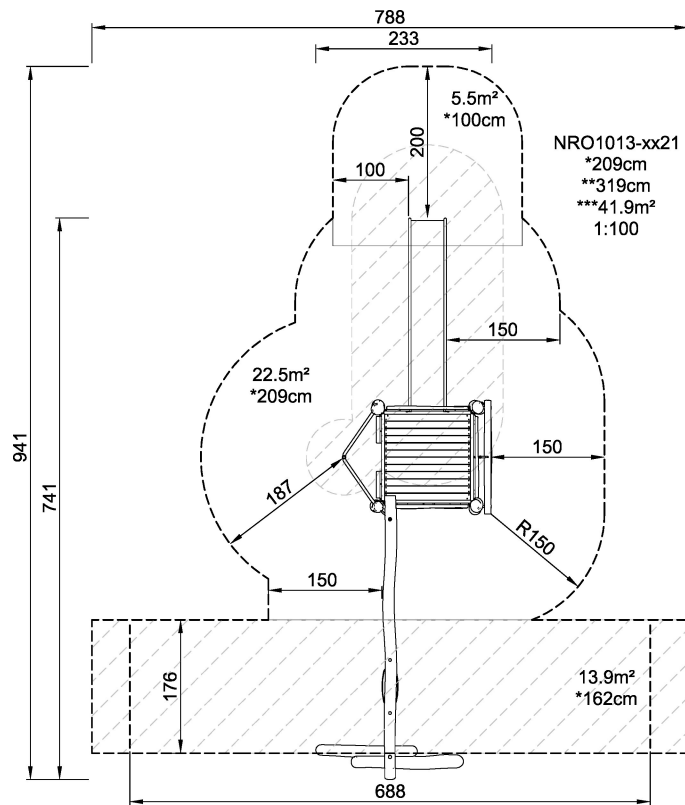


Play tower with swing, slide & fireman's pole. Swing crossbeam height 2,5 meters. Access to platform by vertical ladder. The product is available in 3 versions: 1: Unthreatened Robinia wood. 2: Brown oiled wood. 3: Combined color and unthreatened wood. FSC® Certified (FSC® C004450) robinia wood on request.

Product Line	Organic Robinia
Category	Multi play structures
Age group	4 - 10
Max. fall height (CM)	209
Total height (CM)	319
Safety Zone	42 m2



**IN-
GROU.**



* = Highest designated play surface.
** = Total height of product.

Weight/heaviest parts	kg.	Installation (Manpower)	Persons
Concrete required	NaN m3	Installation (Hours)	Hours
Foundation amount/footing	NaN	Excavation	NaN m3