

Crazy Scrambler

M130



Item no. M13070-01P

General Product Information

Dimensions LxWxH	36x90x83 cm
Age group	1+
Play capacity (users)	2
Colour options	



The Crazy Scrambler has motivated joyful play for generations: with its timeless design, it attracts children again and again. The rocking sensation makes them stay. Apart from the joy in rocking, the responsive movement also trains the understanding of cause and effect in young children: that actions have an effect on the world. Rocking on the Crazy Scrambler trains

the child's sense of balance and space as well as hand and arm muscles when holding tight and pushing your feet hard into the foot support. All of these basic motor skills and muscle training actions help train the child's bodily cognition, supporting important life skills such as being able to sit still on a chair or navigate traffic securely. The long seat of the

Scrambler even allows two to ride together, stimulating cooperation and fostering the first friendships.



Data is subject to change without prior notice.

Crazy Scrambler

M130



Handhold

Physical: the vertical handgrips ensure a firm grip at different heights, necessary for rocking intensely. This trains hand and arm muscles.



Theme

Cognitive: suggests a theme and supports dramatic play, which stimulates language and communication skills.



Foot support

Physical: a good footrest supports intensive rocking. Rocking stimulates the senses of balance and space that are fundamental in managing the world securely. To rock intensely also supports coordination and muscle strength.



Rocking spring

Physical: response to movements adds to spatial awareness and sense of balance. These are fundamental motor skills that help the child's ability to sit still on a chair which takes a good sense of balance. **Cognitive:** trains the understanding of cause and effect: when I move my body, the spring responds with movement.

Crazy Scrambler

M130



Panels of 19mm EcoCore™. EcoCore™ is a highly durable, eco friendly material, which is not only recyclable after use, but also consists of material produced from +95% recycled post consumer material from food packing waste.

KOMPAN Springs are made of high quality spring steel according to EN10270. The springs are cleaned by phosphating before they are painted with an epoxy primer and a polyester powder coating as top finish. The springs are fixed by unique anti pinch fittings for maximum safety and long lifetime.

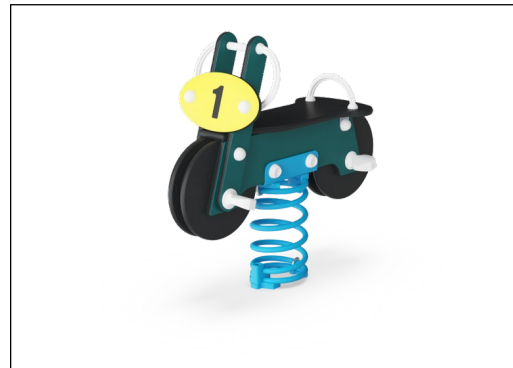
The springs are fixed by unique anti pinch fittings for maximum safety and long lifetime.



Item no. M13070-01P	
Installation Information	
Max. fall height	60 cm
Safety surfacing area	7.4 m ²
Total installation time	2.9
Excavation volume	0.19 m ³
Concrete volume	0.00 m ³
Footing depth (standard)	45 cm
Shipment weight	43 kg
Anchoring options	In-ground ✓ Surface ✓
Warranty Information	
EcoCore HDPE	Lifetime
Hot dip galvanised steel	Lifetime
Spare parts guaranteed	10 years
Springs	5 years



Rock wall handholds are made of pressure moulded high quality nylon (PA6). PA6 has good wearing and impact strength.

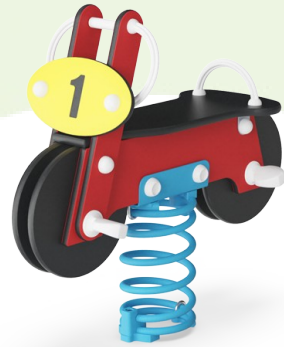


KOMPAN GreenLine versions are designed with ultimate environmentally friendly materials with lowest possible CO2e emission factor such as EcoCore™ panels of +95% post consumer recycled ocean waste.



Sustainability Data

M130



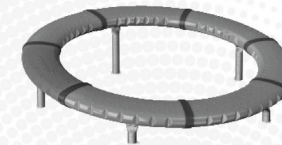
Cradle to Gate A1-A3	Total CO ₂ emission	CO ₂ e/kg	Recycled materials
	kg CO ₂ e	kg CO ₂ e/kg	%
M13070-01P	75.40	1.98	62.98

The overall framework applied for these factors is the Environmental Product Declaration (EPD), which quantifies "environmental information on the life cycle of a product and enable comparisons between products fulfilling the same function" (ISO, 2006). This follows the structure and applies a Life-Cycle Assessment approach to the entire Product stage from raw material through manufacturing (A1-A3))

Kompan A/S
 C.F. Tietgens Boulevard 32C
 DK-5220 Odense SØ
 Denmark



Verification of CO₂ calculation of: Freestanding play equipment



Data version no. 2023-10-05

The CO₂ calculation and data are in compliance with the principles of a carbon footprint impact according to the GHG protocol (Greenhouse Gas Protocol), Scope 3, cradle to gate related to all individual components in the product category: "Freestanding play equipment" represented by item no.: GXY916012-3417.

(Scope 3 emissions include emission sources in the upstream and downstream value chain).

Date: 30. October 2023 | Valid until: 30. October 2025

Verified by:

Julie Marie Vejsgaard Larsen, LCA & EPD Consultant

Verification based on report: Validation of CO₂ calculation of 9 categories of Kompan product line, version 1.0, prepared by: Bureau Veritas HSE, Denmark: Julie M. V. Larsen.

Publication date: 30. October 2023

By Bureau Veritas HSE
 www.bureauveritas.dk
 +45 7731 1000

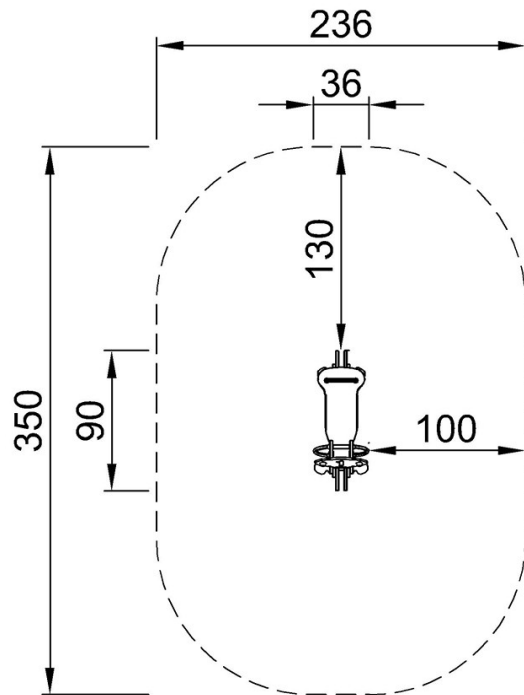


Crazy Scrambler

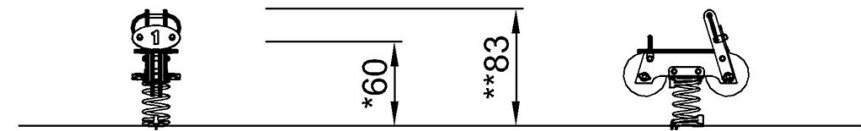
M130

* Max fall height | ** Total height | *** Safety surfacing area

* Max fall height | ** Total height



M13071
*60cm
**83cm
***7.4m²



M13071

[Click to see TOP VIEW](#)

[Click to see SIDE VIEW](#)