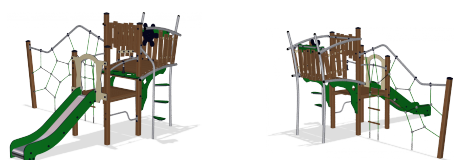


NAT526
Observer

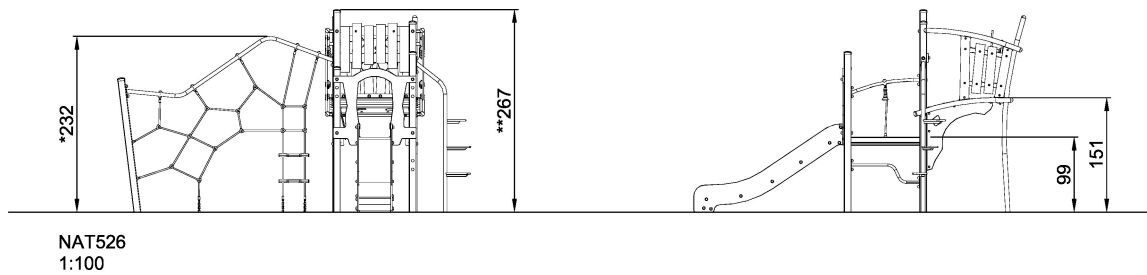
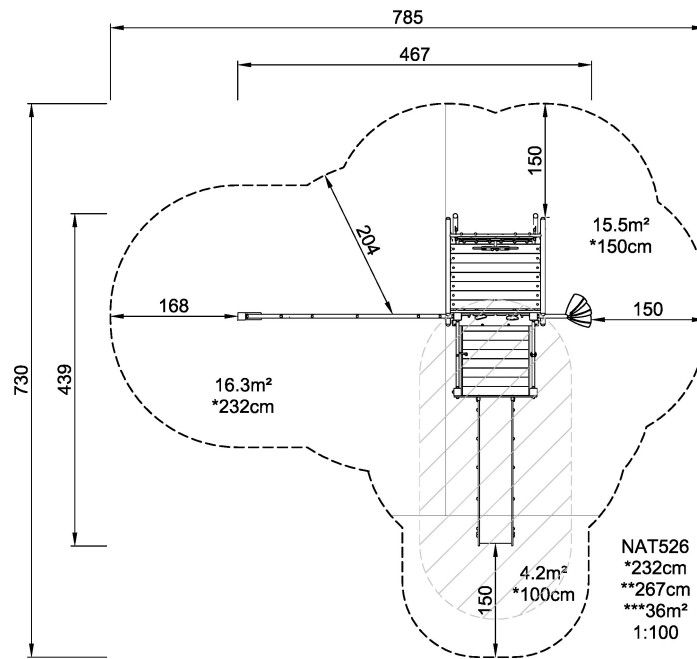


The Observer is a varied climbing unit on two levels, with a classic slide and tactile features both on ground and elevated level. The Observer offer the children training of their coordination and agility and makes a fine play frame for a bigger group of children playing.

Product Line	Traditional Play
Category	Climbing structures & nets
Age group	4 - 10
Max. fall height (CM)	232
Total height (CM)	267
Safety Zone	36 m ²



**SUR-
FACE**



* = Highest designated play surface.
** = Total height of product.

Weight/heaviest parts	kg.	Installation (Manpower)	Persons
Concrete required	NaN m3	Installation (Hours)	Hours
Foundation amount/footing	NaN	Excavation	NaN m3