

NRO531 Oasis Creator

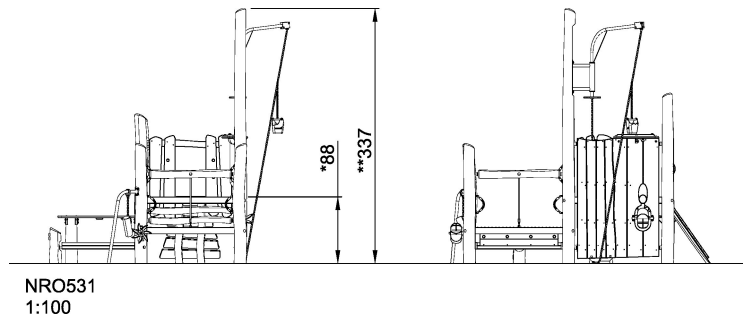
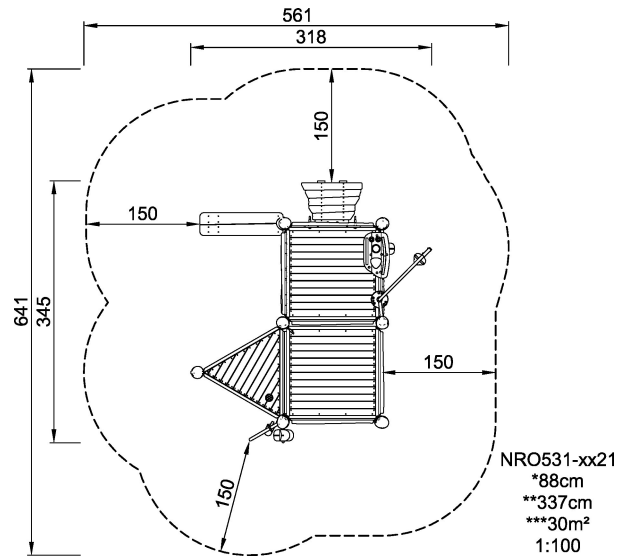


This is a nice open oasis with sand crane and table. Let sand down the hole in the table through the pipe to make the in-built sand mill spin. There is access by a little climbing wall with grips to the sand crane or lower platform with a sand mill. Even very small children can enjoy imaginative and explorative play for very long time. The play table is a fine meeting point and a place to sort and order items. The easy usable bucket of the crane can be filled with sand and when lifted the crane can be turned by using the round handle. Product is available as FSC® Certified (FSC® C004450) robinia wood on request.

Product Line	Organic Robinia
Category	Traditional play, Sand and water play
Age group	2 - 10
Max. fall height (CM)	88
Total height (CM)	337
Safety Zone	30 m2



**IN-
GROU.**



* = Highest designated play surface.
** = Total height of product.

Weight/heaviest parts	kg.	Installation (Manpower)	Persons
Concrete required	NaN m ³	Installation (Hours)	Hours
Foundation amount/footing	NaN	Excavation	NaN m ³